

TACOSSETTER HYLINE

BALANCING VALVE



Direct adjustment, display and shutoff of flow in systems.

DESCRIPTION

Hydronic balancing and volume flow measurement: manufactured fully from high-quality plastic, TacoSetter Hyline balancing valves allow the required volume of water in geothermal, drinking water, heating, ventilating and air conditioning systems to be adjusted precisely and conveniently.

Correct balancing of hydraulic circuits ensures optimum energy distribution, resulting in more efficient and economical operation in accordance with the energy saving regulations provided for by legislation. The valves are quick and easy to fit and require no additional tools.

With TacoSetter Hyline balancing valves, specialists on site can adjust the required flow rate in l/min quickly and precisely using a scale, without the aid of diagrams, tables or investments in training and expensive measurement devices.

INSTALLATION POSITION

The balancing valve requires a straight flow section of the same length and nominal diameter as the valve used. The valve can be installed in a horizontal, tilted or vertical position. Only the arrow indicating the direction of flow of the medium needs to be noted. The valve must be installed free of stress.

ADVANTAGES

- Valve made from high-quality, glass fiber-reinforced plastic, ideal for plastic systems
- Can be used for various media
- Inch standard thread: can be connected directly to plastic gland, no need for metal conversion adapters
- Fast, precise adjustment with twist grip
- High k_{VS} values
- Fast, simple assembly without tools

OPERATION

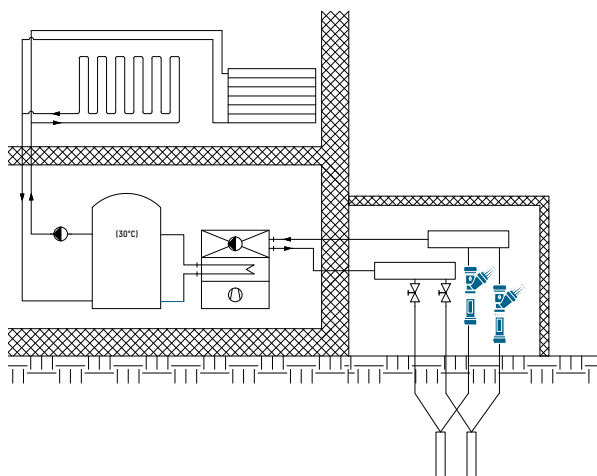
The flow measurement is based on the principle of a baffle float integrated in the housing with return spring. The flow is adjusted manually using the twist grip on the angle seat valve. The reading position is the lower edge of the float element.

BUILDING CATEGORIES

For pipe installations in geothermal, drinking water and cooling installations:

- Apartment blocks, housing estates, multiple dwelling units
- Residential care facilities and hospitals
- Administration and service buildings
- Hotels and restaurants, industrial kitchens
- School buildings and sports halls / sports facilities
- Commercial and industrial buildings
- Facilities with partial use, such as barracks, camping sites

SYSTEM/BASIC DIAGRAM



TACOSSETTER HYLINE | BALANCING VALVE

SPECIFICATION TEXT

See www.taconova.com

TECHNICAL DATA

General

- Maximum operating parameters
 $T_{0\ max}$ and $P_{0\ max}$: See pressure-temperature curve
- Leakage test parameters:
 max. 12 bar / 20 °C / 1 hr
- Measuring accuracy:
 ±8 % of the final value
- k_{vs} value and measurement range according to „Type overview“ table
- External thread G (cylindrical) as per ISO 228

Material

- Housing: plastic, glass fiber-reinforced
- Spring + clamp: stainless steel
- Sight glass: borosilicate
- Seals: EPDM

Fluids

- Heating water (VDI 2035; SWKI BT 102-01; ÖNORM H 5195-1)
- Potable water (DIN 1988-200, also treated with chlorine)
- Water and proprietary additives used against corrosion and freezing up to 50%
- Rainwater

APPROVALS / CERTIFICATES

- SVGW / KTW, ACS, WRAS for individual parts

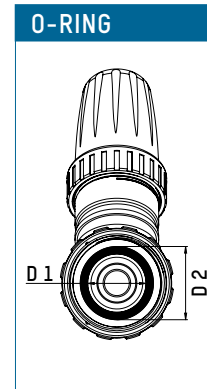
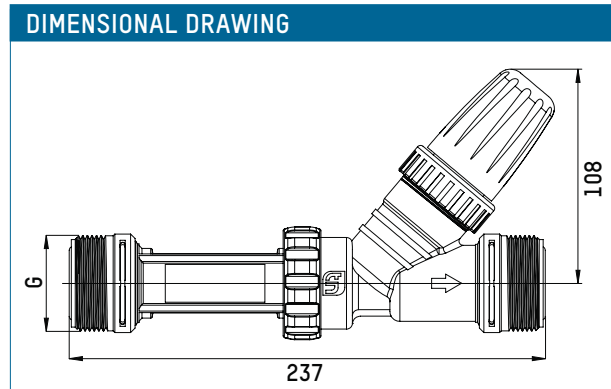
NOTE

The valve must be installed free of stress.

TYPE OVERVIEW

TacoSetter Hyline | Balancing valve with external thread

Order no.	DN	G × G	Measuring range	k_{vs} (m ³ /h)
223.8410.000	25	1 ½" × 1 ½"	10 – 25 (l/min)	5.9
223.8411.000	25	1 ½" × 1 ½"	15 – 40 (l/min)	9.1
223.8412.000	25	1 ½" × 1 ½"	20 – 60 (l/min)	11.7
223.8523.000	32	2" × 2"	20 – 55 (l/min)	11.7
223.8524.000	32	2" × 2"	30 – 80 (l/min)	12.5

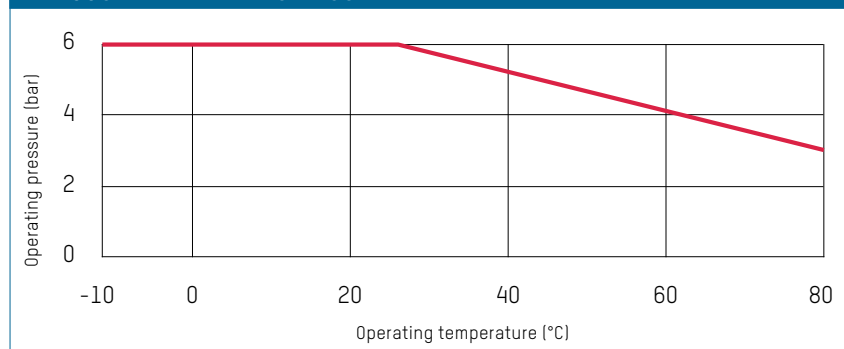


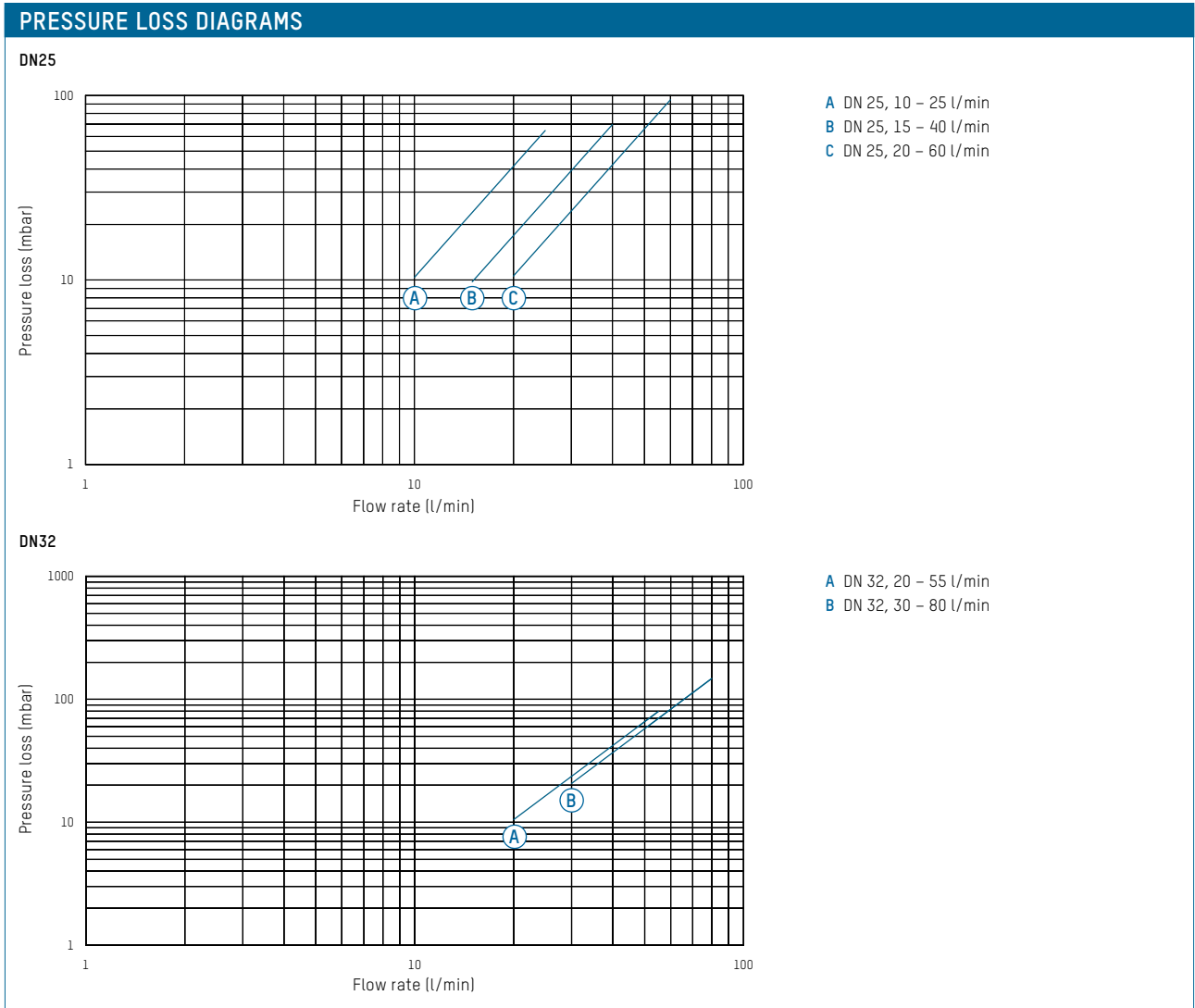
MEASUREMENT TABLE

TacoSetter Hyline | Balancing valve with external thread

Order no.	DN	G	D1	D2	O-Ring
223.8410.000	25	1 ½"	29.7	36.4	29.82 × 2.62
223.8411.000	25	1 ½"	29.7	36.4	29.82 × 2.62
223.8412.000	25	1 ½"	29.7	36.4	29.82 × 2.62
223.8523.000	32	2"	36.0	42.7	36.10 × 3.53
223.8524.000	32	2"	36.0	42.7	36.10 × 3.53

PRESSURE-TEMPERATURE CURVE





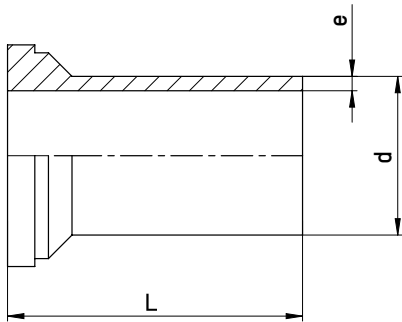
ACCESSORIES



SCREW CONNECTOR FOR TACOSSETTER HYLINE

Plastic screw connector with washer (PVC) and weld-on socket (PE100)

Order no.	G (washer)	Fits to
210.2025.003	1½"	DN 25
210.2032.003	2"	DN 32



	d	L	e
DN25	32	60	2.9
DN32	40	63	3.7

Subject to modification. 07/2017