

# MANIFOLD CHAMBER DN650

## UP TO 3 COLLECTORS.

### SMALLER PROJECTS

DN 650 Chamber is made of polyethylene and designed for smaller projects. If necessary, several chambers can be connected in series or reverse return configurations.

### COVERING LID

Fixed polyethylene push on lid and gasket included as standard. Vehicle proof access cover for 40 tonnes or lockable composite 1.5KN lid. All available with adjustable telescopic riser extension.

### CONTENT

DN 650 can be equipped with most models of valves and flow meters in the MuoviTech range.

### EACH CHAMBER IS PRESSURE TESTED

Each chamber undergoes several hydraulic pressure tests during each stage of manufacture to ensure that the chamber and the manifold components are sealed and leak free. All the extruding connections are welded to the chamber wall to prevent ingress of ground water.

### BESPOKE SPECIFICATIONS

Contact us and we will meet your preferences regarding orientation, valve flow rates, header dimensions and number of connections.

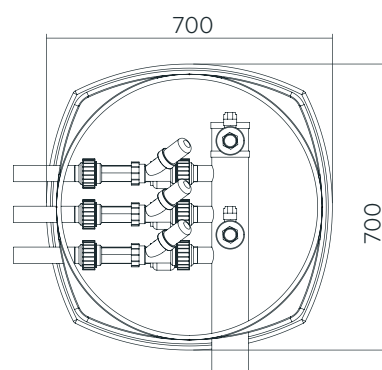
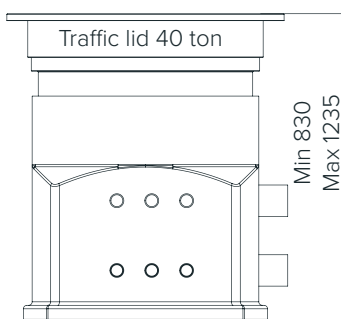
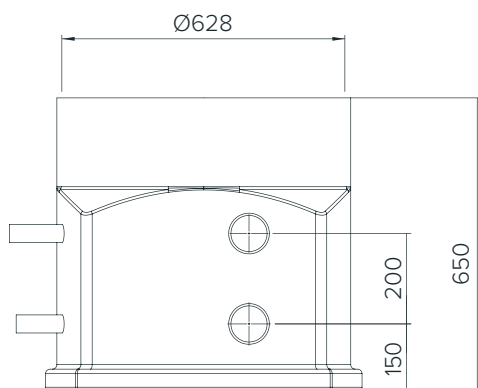
Art.no.	Product
1080-2-400	DN650 with 2 connections
1080-3-400	DN650 with 3 connections



# MANIFOLD CHAMBER DN650

## PRODUCT INFORMATION

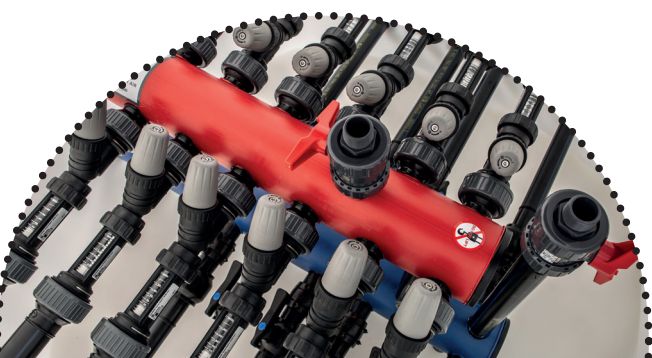
Dimensions excl. extension ring:	650x650x650 mm
Material:	Polyethylene with UV protection
Colour:	Chamber White. Flow Header Red. Return Header Blue.
Header:	Ø40-110mm
Connections:	Up to 3 collectors, Ø32-50mm



## ACCESSORIES

Art.no.	Product
1080-STAD25	STAD Valve DN25
1080-STAD32	STAD Valve DN32
1067-RV TACO	TacoSetter Hyline DN32 *
1066-AV 40 Plast	PE Ball Valve DN32 *
1066-ME25	Air Vent Mefco DN25 *
1080-K1	Composite cap 1,5 tons
1080-korbar	Vehicle proof cover 40 tons Plastic cap *

\* Included as standard.



# MuoviTech®

MuoviTech AB, Tvinnargatan 11, 507 30 Brämhult, Sweden  
 TEL +46 (0)33 22 85 85 EMAIL info@muovitech.com WEB www.muovitech.com