

MANIFOLD CHAMBER DN1200

UP TO 20 COLLECTORS

FOR LARGE PROJECTS

DN 1200 is made of polyethylene and is designed for projects where a larger chamber with many connections is needed. Up to 20 collectors can be connected to each chamber and, if necessary, several chambers can be connected in series and reverse return configurations.

COVERING LID

Fixed polyethylene push on lid and gasket, with stainless steel locking bolts as standard. Vehicle proof access cover up to 40 tonnes or a lockable composite 1.5KN lid. All available with adjustable telescopic riser extension.

CONTENT

The standard version of DN 1200 is equipped with our new flow meter, Tacosetter Hyline, which is made of reinforced plastic, and a polyethylene shut off valve. All components are welded together, no mechanical couplings are used. This provides a safe system that is not affected by corrosion. DN 1200 can also be equipped with most models of valves and flow meters in our range.

EACH CHAMBER IS PRESSURE TESTED

Each chamber undergoes several hydraulic pressure tests during each stage of manufacture to ensure that the chamber and the manifold components are sealed and leak free. All the extruding connections are welded to the chamber wall to prevent ingress of ground water.

BESPOKE SPECIFICATIONS

Contact us and we will meet your preferences regarding orientation, valve flow rates, header dimensions and number of connections.

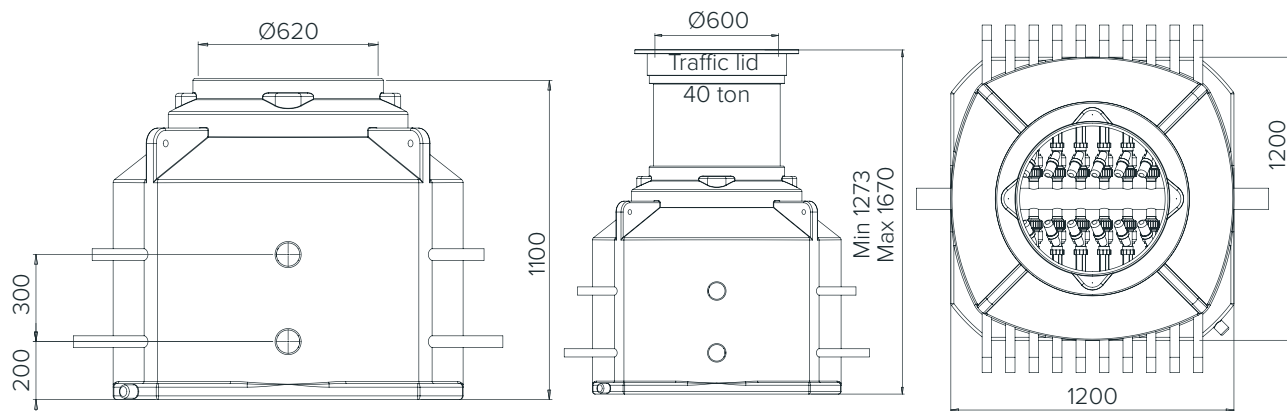
Art.no.	Product
1080-6	DN1200 with 6 connections
1080-7	DN1200 with 7 connections
1080-8	DN1200 with 8 connections
1080-9	DN1200 with 9 connections
1080-10	DN1200 with 10 connections
1080-11	DN1200 with 11 connections
1080-12	DN1200 with 12 connections
1080-13	DN1200 with 13 connections
1080-14	DN1200 with 14 connections
1080-15	DN1200 with 15 connections
1080-16	DN1200 with 16 connections
1080-17	DN1200 with 17 connections
1080-18	DN1200 with 18 connections
1080-19	DN1200 with 19 connections
1080-20	DN1200 with 20 connections



MANIFOLD CHAMBER DN1200

PRODUCT INFORMATION

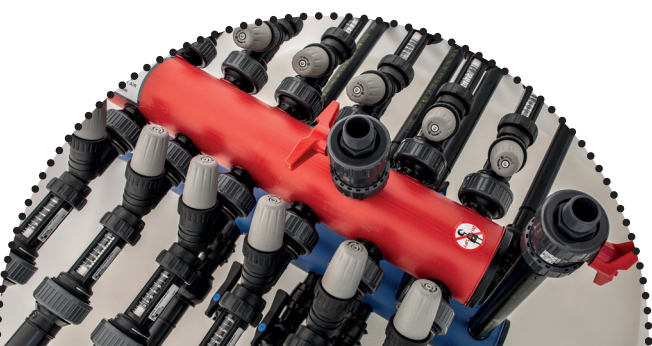
Dimensions excl. extension ring:	1200x1200x1100 mm
Material:	Polyethylene with UV protection
Colour:	White
Header:	Ø40-160mm
Connections:	Up to 20 x collectors, Ø32-50mm



ACCESSORIES

Art.no.	Product
1080-STAD25	STAD Valve DN25
1080-STAD32	STAD Valve DN32
1067-RV TACO	TacoSetter Hyline DN32 *
1066-AV 40 Plast	PE Ball Valve DN32 *
1066-ME25	Air Vent Mefco DN25 *
1080-K1	Composite cap 1,5 tons
1080-korbar	Vehicle proof cover 40 tons Plastic cap *

* Included as standard.



MuoviTech®

MuoviTech AB, Tvinnargatan 11, 507 30 Brämhult, Sweden
 TEL +46 (0)33 22 85 85 EMAIL info@muovitech.com WEB www.muovitech.com