

MANIFOLD CHAMBER DN850

UP TO 10 COLLECTORS

MEDIUM PROJECTS

DN 850 Chamber is made of polyethylene and designed for small to medium sized projects. If necessary, several chambers can be connected in series or reverse return configurations.

COVERING LID

Fixed polyethylene push on lid and gasket, with stainless steel locking bolts as standard. Vehicle proof access cover up to 40 tonnes or a lockable composite 1.5KN lid. All available with adjustable telescopic riser extension.

CONTENT

The standard version of DN 850 is equipped with our new flow meter, Tacosetter Hyline, which is made of reinforced plastic, and a polyethylene shut off valve. All components are welded together, no mechanical couplings are used. This provides a safe system that is not affected by corrosion. DN 850 can also be equipped with most models of valves and flow meters in our range.

EACH CHAMBER IS PRESSURE TESTED

Each chamber undergoes several hydraulic pressure tests during each stage of manufacture to ensure that the chamber and the manifold components are sealed and leak free. All the extruding connections are welded to the chamber to prevent ingress of ground water.

BESPOKE SPECIFICATIONS

Contact us and we will meet your preferences regarding orientation, valve flow rates, header dimensions and number of connections.

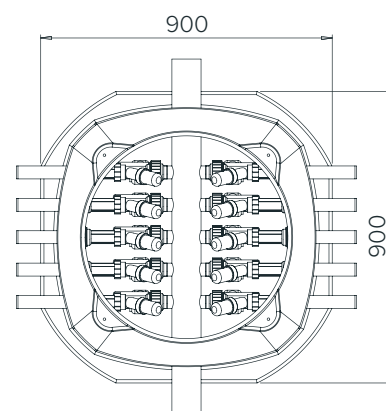
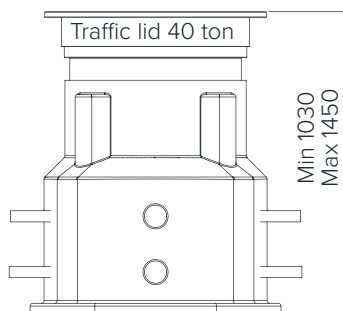
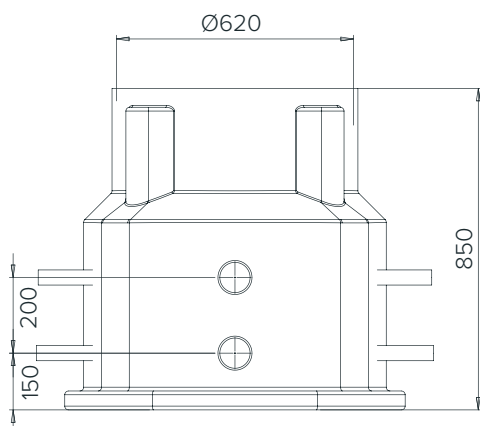
Art.no.	Product
1080-2-625	DN850 with 2 connections
1080-3-625	DN850 with 3 connections
1080-4-625	DN850 with 4 connections
1080-5-625	DN850 with 5 connections
1080-6-625	DN850 with 6 connections
1080-7-625	DN850 with 7 connections
1080-8-625	DN850 with 8 connections
1080-9-625	DN850 with 9 connections
1080-10-625	DN850 with 10 connections



MANIFOLD CHAMBER DN850

PRODUCT INFORMATION

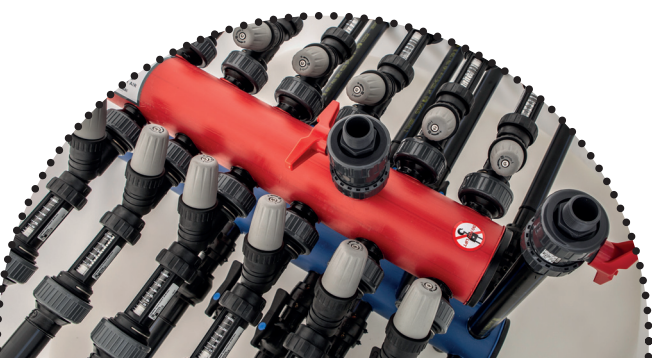
Dimensions excl. extension ring:	900x900x850 mm
Material:	Polyethylene with UV protection
Colour:	White
Header:	Ø40-125mm
Connections:	Up to 10 collectors, Ø32-50mm



ACCESSORIES

Art.no.	Product
1080-STAD25	STAD Valve DN25
1080-STAD32	STAD Valve DN32
1067-RV TACO	TacoSetter Hyline DN32 *
1066-AV 40 Plast	PE Ball Valve DN32 *
1066-ME25	Air Vent Mefco DN25 *
1080-K1	Composite cap 1,5 tons
1080-korbar	Vehicle proof cover 40 tons Plastic cap *

* Included as standard.



MuoviTech®

MuoviTech AB, Tvinnargatan 11, 507 30 Brämhult, Sweden
 TEL +46 (0)33 22 85 85 EMAIL info@muovitech.com WEB www.muovitech.com